



V77E

Bill Acceptor

Installation Guide

❖Contents

- 1. Introduction1
 - 1-1. Overview1
 - 1-2. Features1
- 2. Specifications1
 - Common1
 - Electrical1
 - Mechanical1
- 3. Packing List2
- 4. Dimension2
- 5. Installation3
 - 5-1. Harness Application3
 - 5-1-1. I/O Circuit12
 - 5-2. DIP Switch Setting15
 - 5-3. Software Download and Upgrade15
- 6. Maintenance16
- 7. Trouble Shooting17
 - 7-1. Bezel LED Errors17
 - 7-2. Back LED Errors17

Use of Materials Limitations

International Currency Technologies Corporation (ICT) all rights reserved.

All materials contained are the copyrighted property of ICT.

All trademarks, service marks, and trade names are proprietary to ICT.

ICT reserves the right at all times to disclose or to modify any information as ICT deems necessary to satisfy any applicable law, regulation, legal process or governmental request, or to edit, refuse to post or to remove any information or materials, in whole or in part, in ICT's sole discretion.

1. Introduction

1-1. Overview

V77E is a bill acceptor which features a double-lock bill box for high security with acceptance rate up to 96% or even greater.

1-2. Features

- Four way bill insertion acceptance.
- Auto-calibrating.
- Win 98/XP compatible USB interface available.
- Secure double-lock removable bill box available in 1000 bill capacity.
- USB online upgrade firmware function.

2. Specifications

Common

Acceptance Rate

96% or greater

Bill Insertion

Four way acceptance

Transaction Speed

Approx. 3 seconds to stack

Installation

Indoor & Outdoor

Electrical

Power Source

12V DC 2 A
24V AC 1.3 A
34V DC 1.6 A

Power Consumption

50 watts maximum

Mechanical

Bill Capacity

Approx. 1000 bills (950~1050)

Outline Dimension

see Page.2

Interface

Pulse, ICT Protocol <TTL RS232>
ICT Protocol <USB (Optional)>,MDB,
CCNET, Parallel(GPT)
* Combination is possible ex:Pulse+MDB.

Bill Accepted Width

Bezel-(Up Stacker) - 62~77mm
(Down Stacker)- 62~77mm
<62~66mm (Insert bills from center bezel)>

Operation Environment

Operation Temperature: -10°C~55°C
Storage Temperature: -30°C~70°C
Humidity: 30%~85RH(no condensation)

Lock Type

Tubular lock . Padlock(Optional/ Ø5.0~6.0mm)

Weight

Approx. 1.7kg (Bill Box Included)

3. Packing List

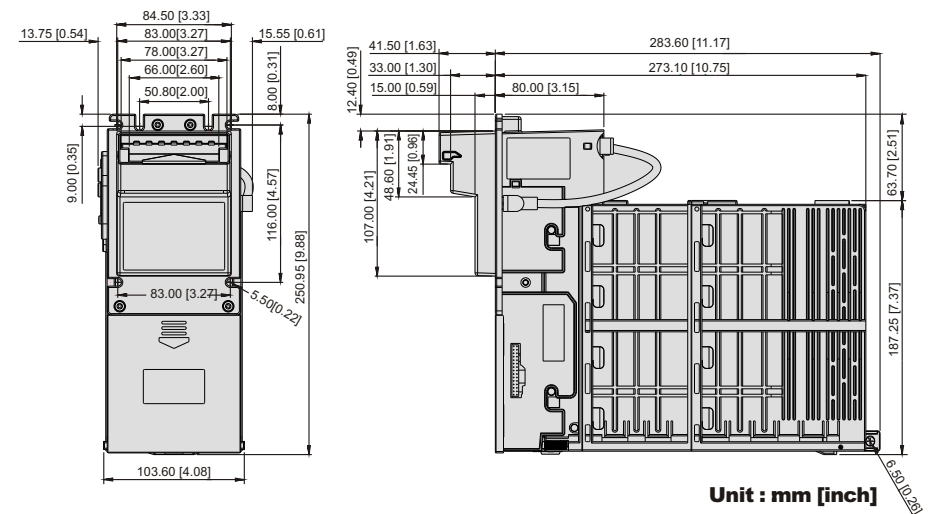
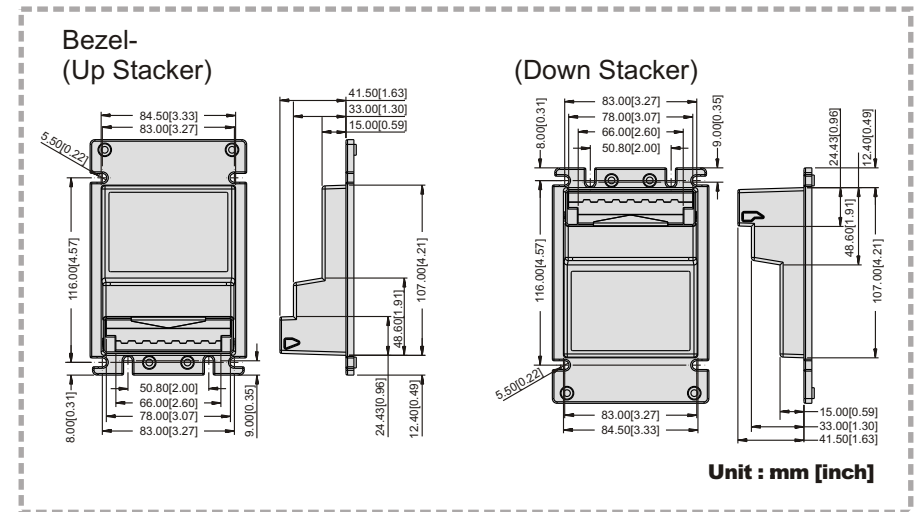
Main

Bill Acceptor

Accessory

Harness: see 5-1
V77E Installation Guide
V77E DIP Switch Setting Guide
A Pair of keys

4. Dimension



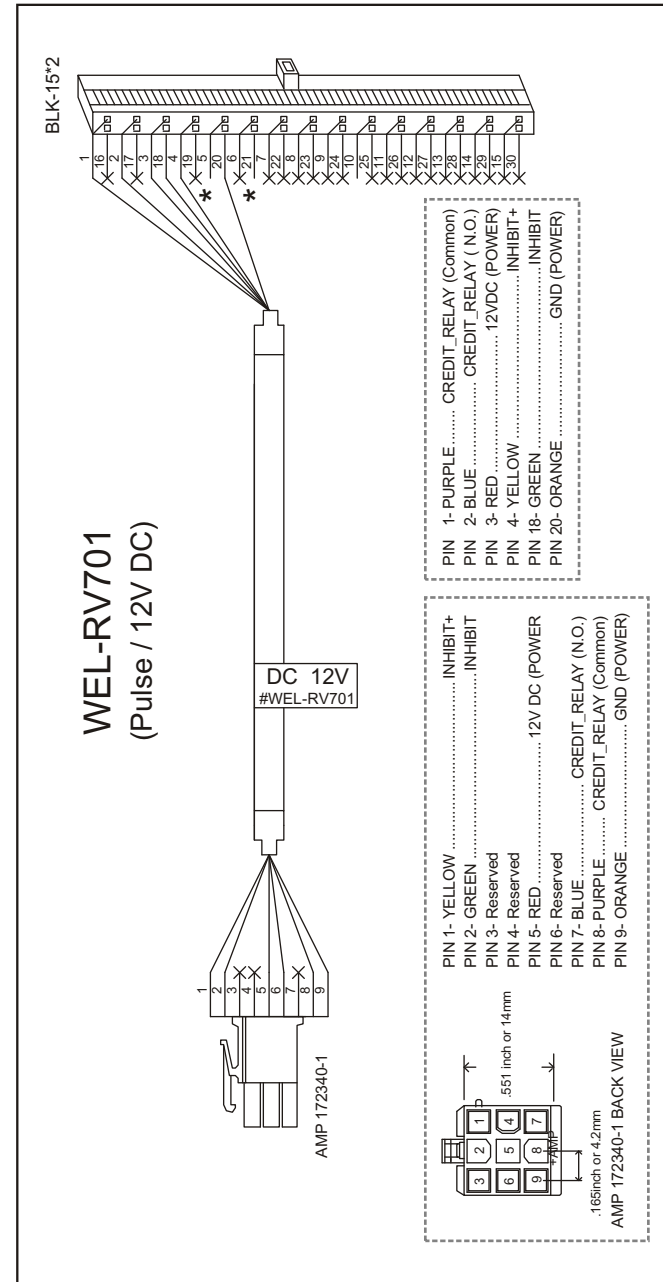
5. Installation

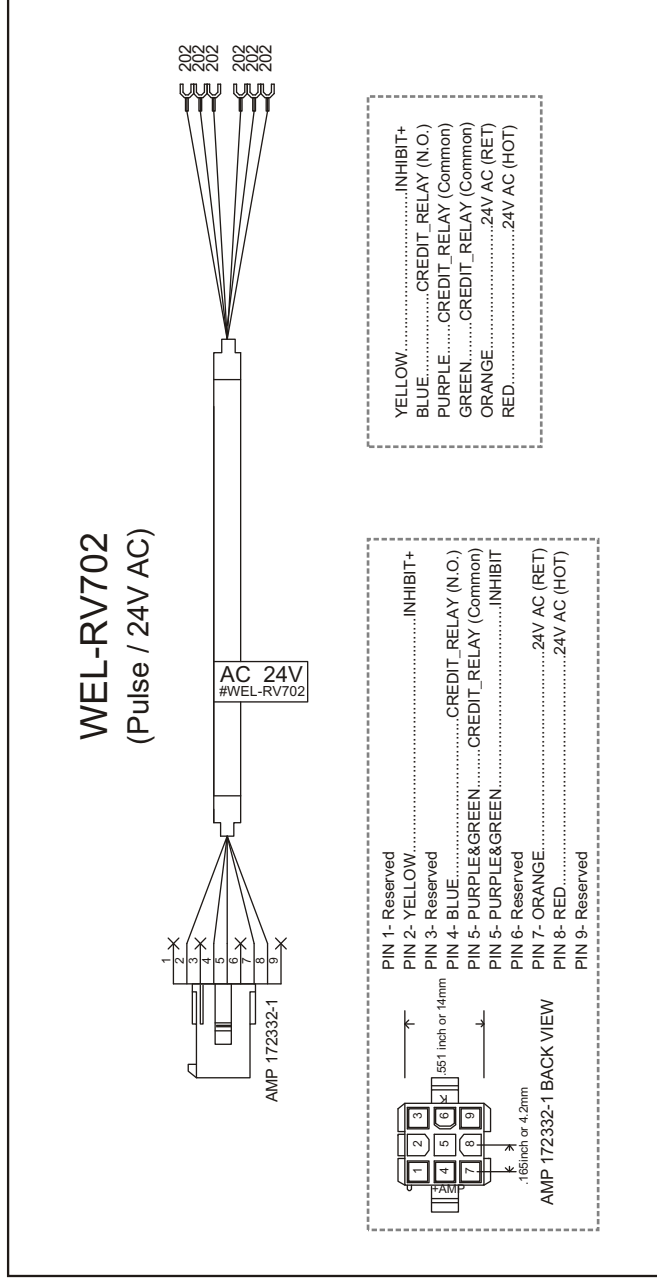
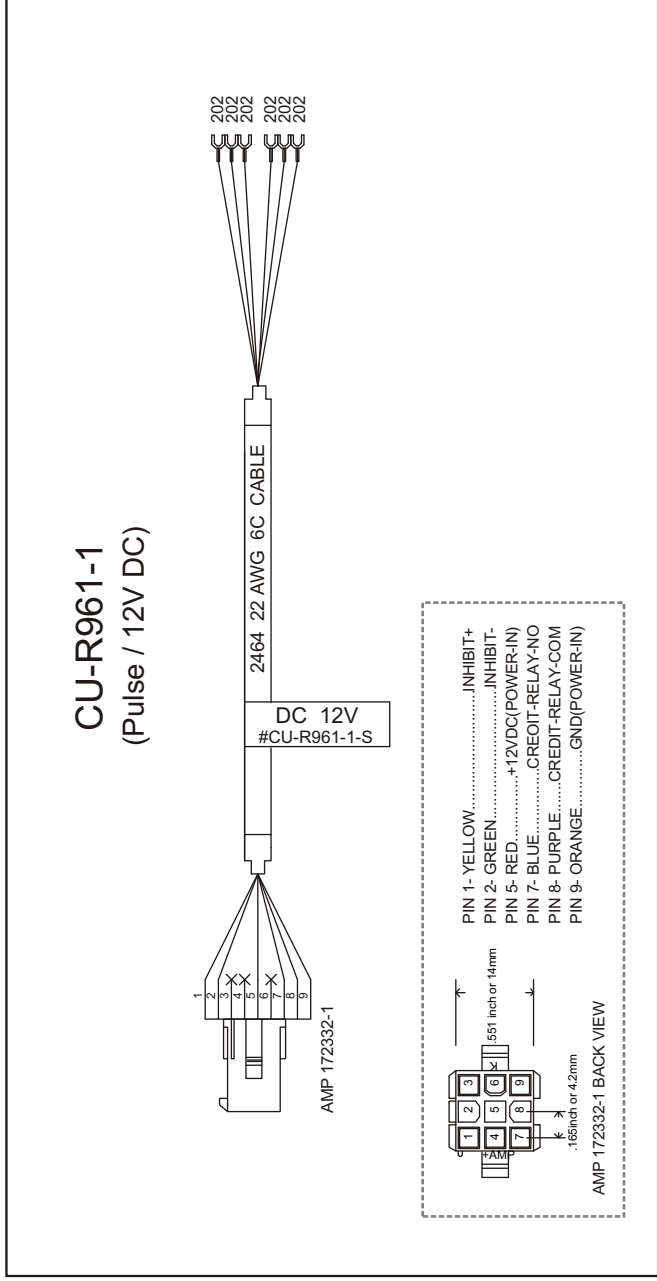
5-1. Harness Application

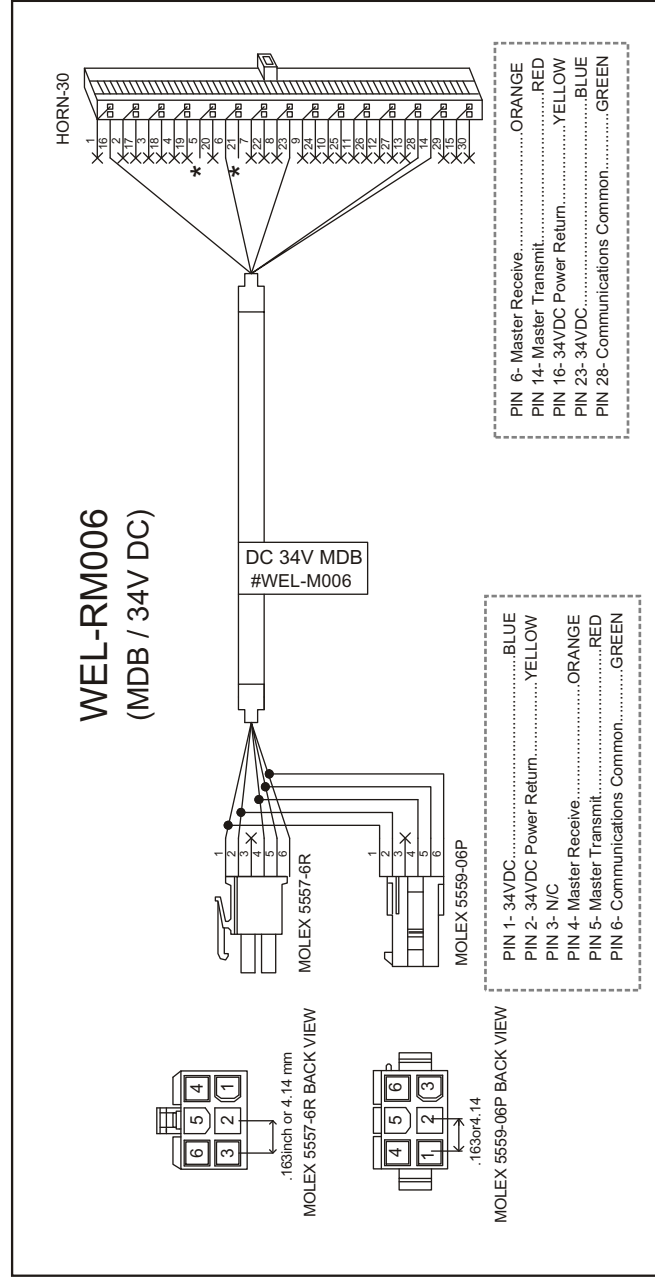
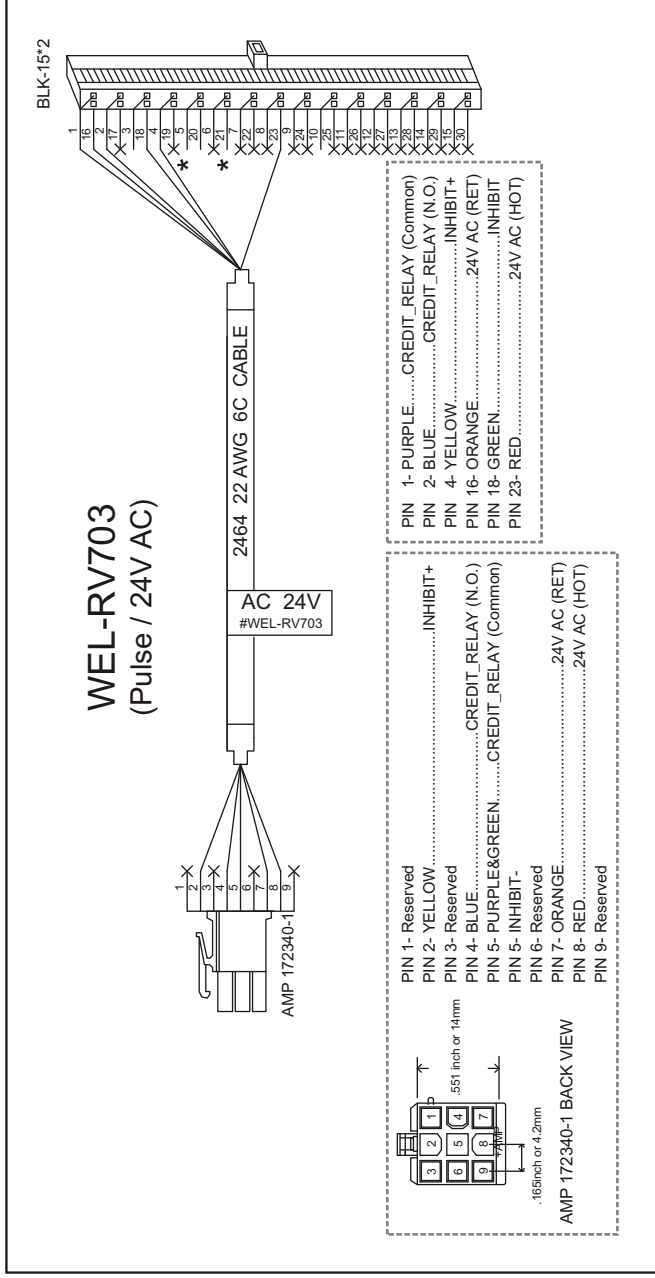
Interface	Used Voltage	Usage	Harness	Page	
Pulse	12V DC	Power & *Data Com.	WEL-RV701	4	
		Extension Wire	CU-R961-1	5	
	24V AC	Extension Wire	WEL-RV702	6	
		Power & Data Com.	WEL-RV703	7	
MDB	34V DC	Power & Data Com.	WEL-RM006	8	
ICT Protocol	RS232	5V to ±12V	Power	WEL-RV701	4
		5V to ±12V	Data Com.	WEL-RV706	9
	USB	N/A	Power & Data Com.	WEL-RU1180 (optional)	10
CCNET	RS232	5V to ±12V	Power	WEL-RV701	4
		Data Com.	WEL-RV706	9	
Parallel(GPT)	24V AC	Power & Data Com.	**5RBG-AA203L1-0x	11	

*Data Com. : Data Communication.

**5RBG-AA203L1-0x : Plug-in Box & Cables, "x" varies from version to version.

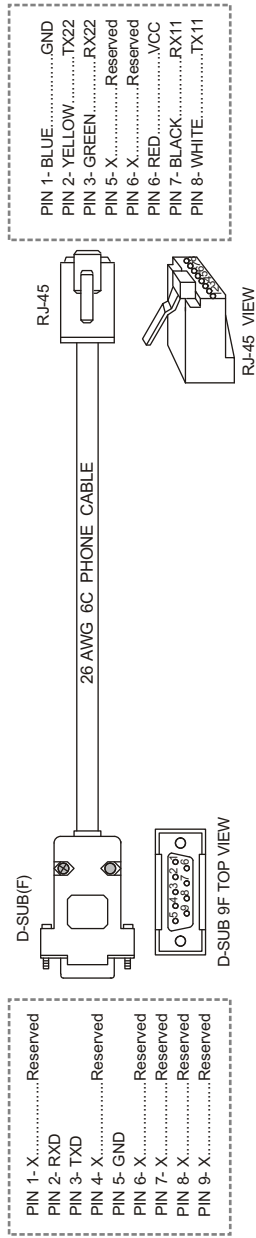




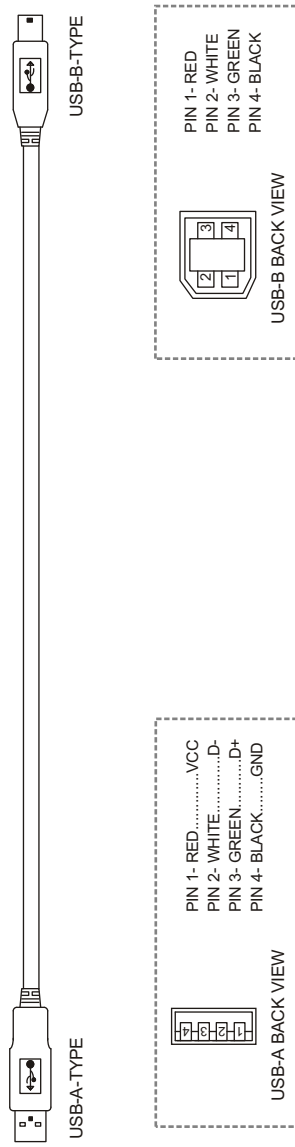


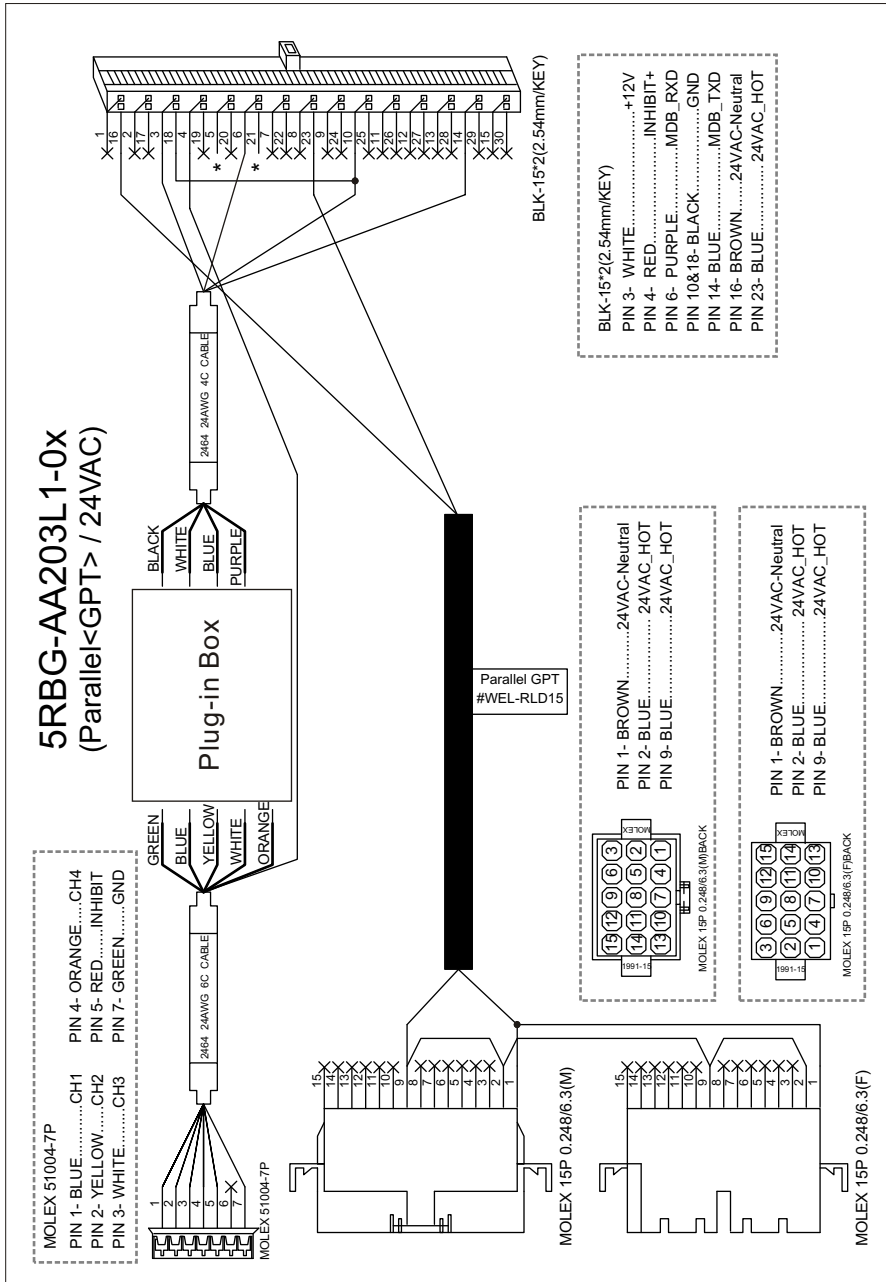
WEL-RV706

(ICT Protocol , CCNET <RS232> / 5V~ ±12V)



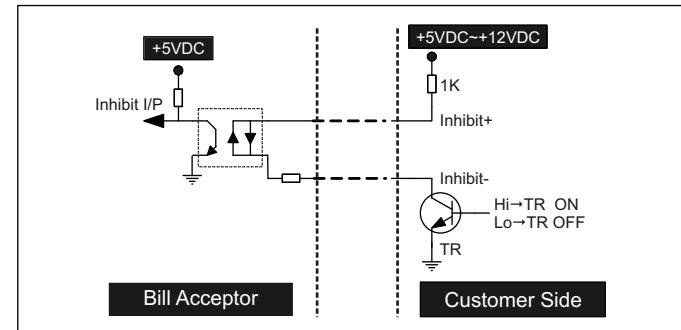
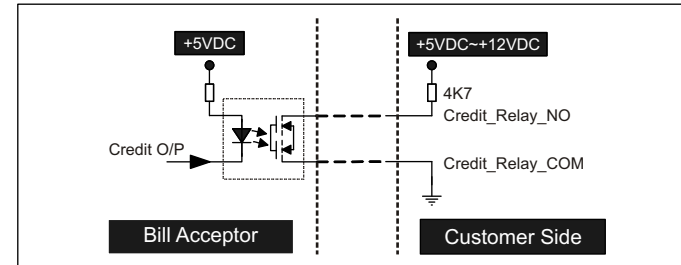
WEL-RU1180 (USB <Optional>)



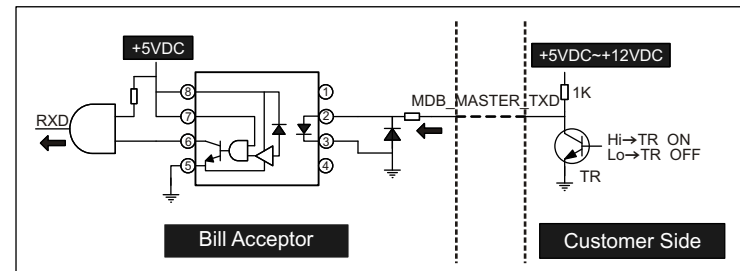
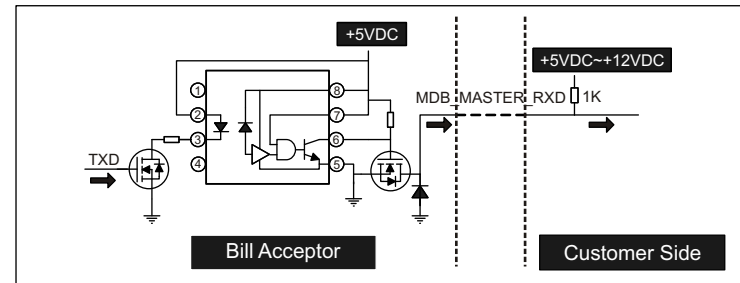


5-1-1. I/O Circuit

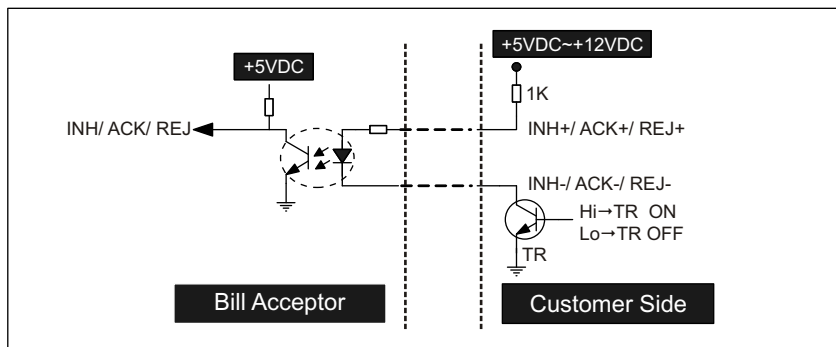
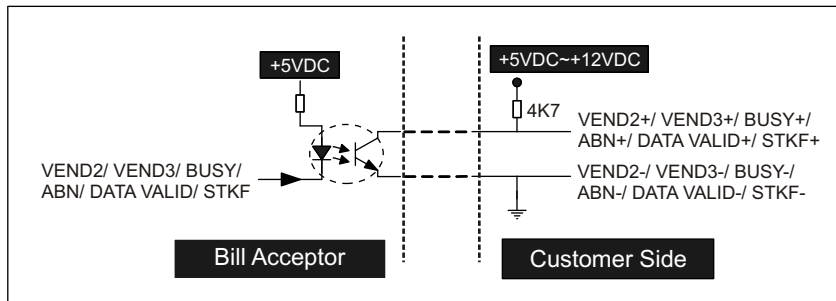
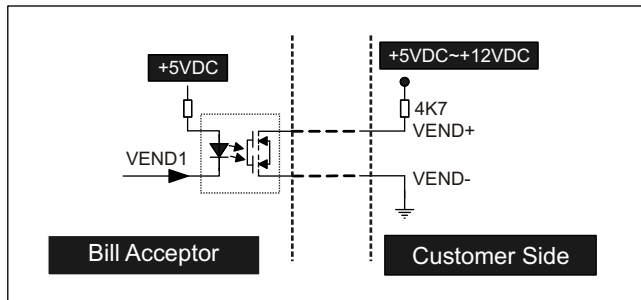
Pulse Interface Customer Recommend Circuit.



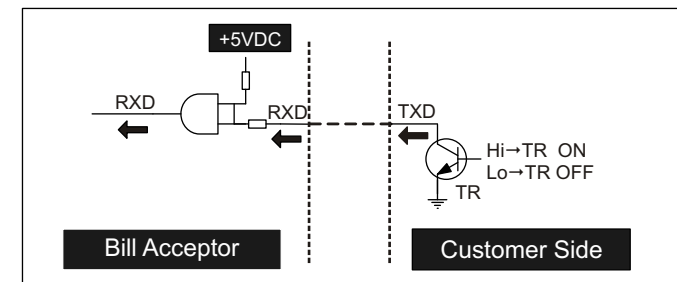
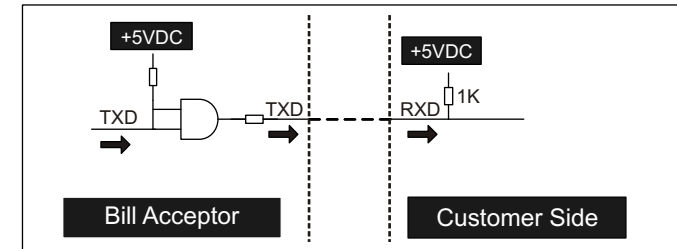
MDB Interface Customer Recommend Circuit.



Parallel Interface Customer Recommend Circuit.



ICT-Protocol Interface Customer Recommend Circuit.

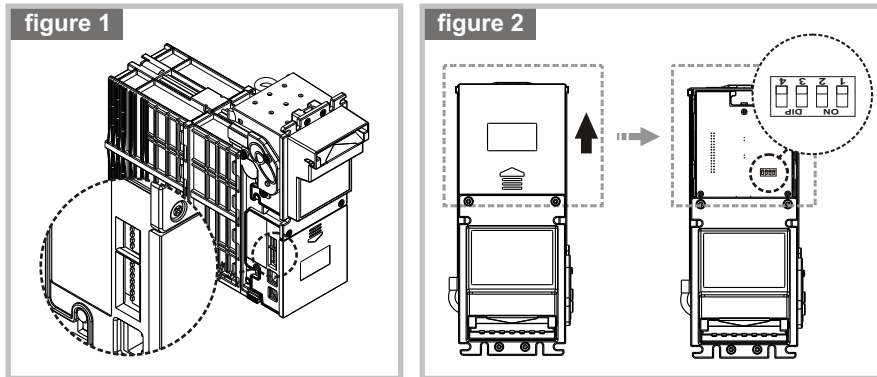


5-2. DIP Switch Setting

There are two serial DIP switches which are located on the side of V77E. (as figure 1) According to different currencies which are used by users, DIP switch settings could be varied to fit users' need.

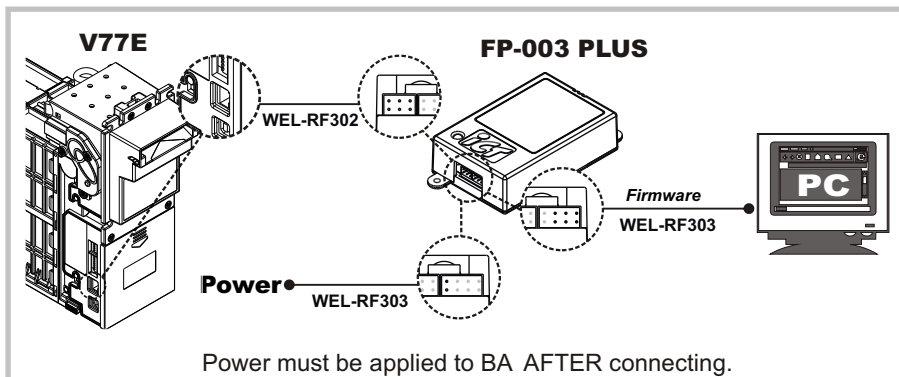
Besides, there's also a serial DIP switches on CPU board inside of V77E for interface settings.(as figure 2)

Please refer to "V77E DIP Switch Setting" Guide in the package for more detail.



5-3. Software Download and Upgrade

To download and upgrade the software to V77E, the programmer (FP-003 PLUS) is needed. Please contact ICT to purchase FP-003 PLUS and refer to FP-003 PLUS user guide for software download and upgrade information.

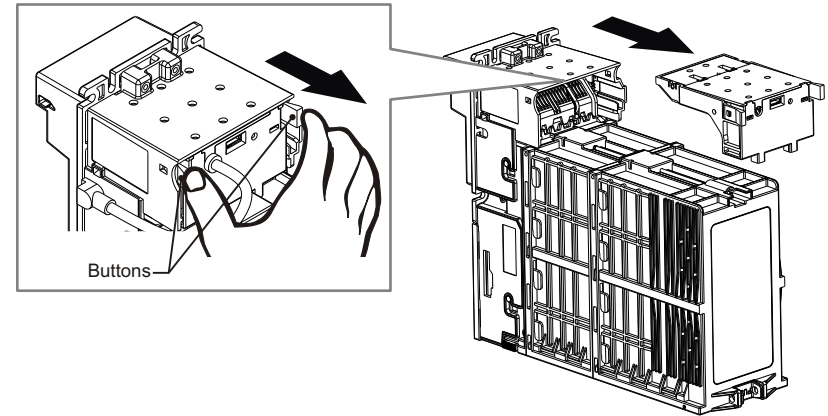


6. Maintenance

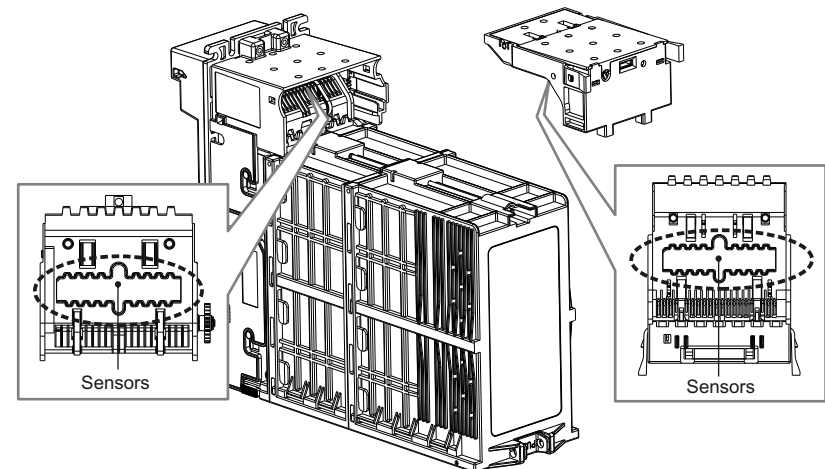
To make sure the bill acceptor always works smoothly, please clean the internal parts regularly.

To clean the internal parts:

1. Press the buttons on the sides of bill path unit and pull the unit out.



2. Use a soft, dry cloth or towel to clean the bill path and sensors.



7. Trouble Shooting

7-1. Bezel LED Errors

LED Flashes	Status	Corrective Actions
Colorful	Bill Acceptor is normal	N/A
Red	Bill Acceptor error	Check the back LED flash (see 7-2)

figure 3

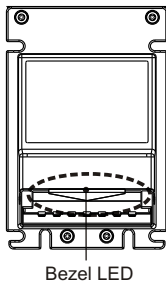
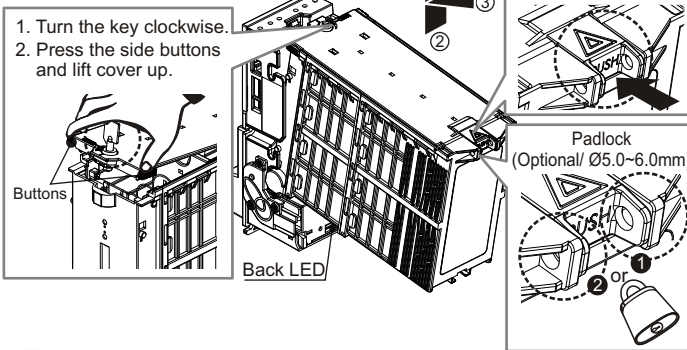



figure 4



7-2. Back LED Errors

LED Flashes	Status	Corrective Actions
1	Bill jammed.	Remove the bill box by pushing the rear button and the bill path unit (as figure 4), and then remove the jammed bill.
3	Recognition sensor error.	Inspect for foreign objects on sensor or bill path and clean.
3-2	Hook sensor error.	Inspect for foreign objects on security hook and clean.
3-4	Out sensor error.	Inspect for foreign objects on sensor or bill path and clean.
2	Disable	Inspect for right DIP switch setting.
4	Anti-string sensor error or a stringing attempt has detected.	Inspect for foreign objects on sensor or bill path and clean.
5	Bill box has been removed.	Replace the bill box.
6	Stacker error or stacker full.	Empty the bill box.
7	Motor error.	Inspect for foreign objects on bill path and clean.

 If the error can not be solved after corrective actions or happen again, please contact ICT for technical support.

ICT Taiwan

International Currency Technologies Corporation

Ji-Hong Building, No 24, Alley 38, Lane 91, Nei-hu Rd.,
Sec. 1, Taipei, Taiwan, R.O.C.

Tel: 886-2-2797-1238 • Fax: 886-2-2797-1634

sales@ictgroup.com.tw (For Sales)

rma@ictgroup.com.tw (For Customer service)

Website: www.ictgroup.com.tw